

High-current cable C-TC-xx ^{GB}

Datasheet

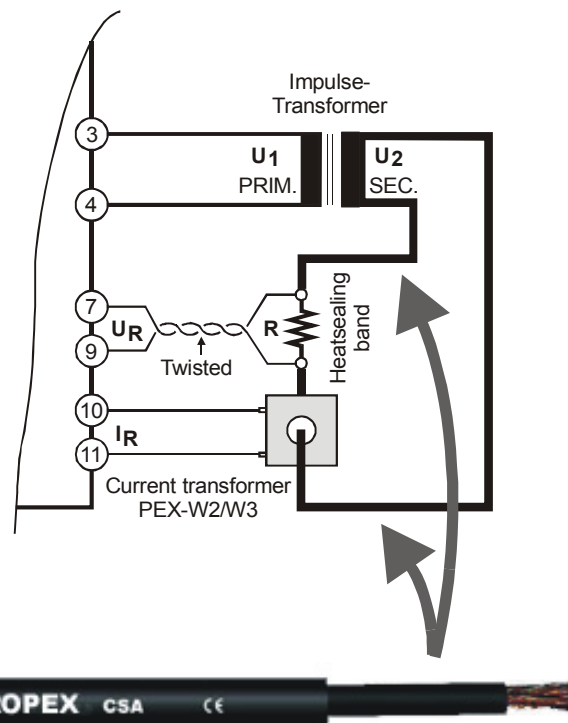
Correct and proper wiring of the system is an essential precondition of trouble-free operation in heatsealing applications with RESISTRON/CIRUS temperature controllers.

We support our customers by offering a specially designed high-current cable in conjunction with RESISTRON/CIRUS temperature controllers.

Specification

- Conductor cross-section:
C-TC-10: 10mm²
C-TC-16: 16mm²
- Outer diameter:
C-TC-10: app. 9,5mm
C-TC-16: app. 11,0mm
- Bending radius:
Min. 7,5 x Outer diameter
- Trailing cable
- Silicone and latex free
- Temperature range -5...+90 °C
- Approvals:
UL-AWM-Style 10107
CSA AWM IA/B IIA/B FT 1
- In dependence on VDE 0250, 0281

This specification ensures that the C-TC-xx high-current cable meets all requirements stipulated for modern, heavy-duty machines.



How to order



High-current cable C-TC-xx, trailing cable

C-TC-10	(Conductor cross-section: 10mm ²)	Art. No. 884273
C-TC-16	(Conductor cross-section: 16mm ²)	Art. No. 884274

25.9.06